

## DEBARKERS DRUMS – DDG



The machine is an extremely heavy and low maintenance machine. Conceived to debark the largest volume of wood in a short time period.

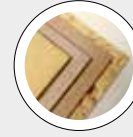
### TECHNICAL FEATURES

The main technical characteristics of Drum Debarkers • Very strong conception, apt to the heaviest duty in the woodyard • Device system with standard transport tires • Debarking treatment adjustable of the different kind of wood • Automatic control system of tires air or nitrogen pressure

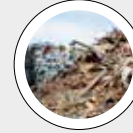
### BENEFITS

• Very long service time • High debarking performance • Low energy consumption • Very low maintenance costs • Design and dimension according to the special requirement of the customer

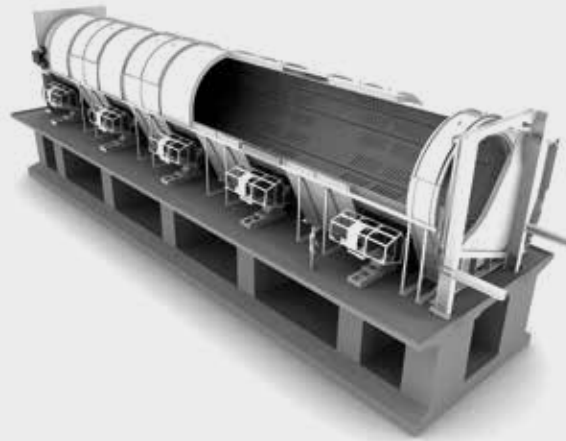
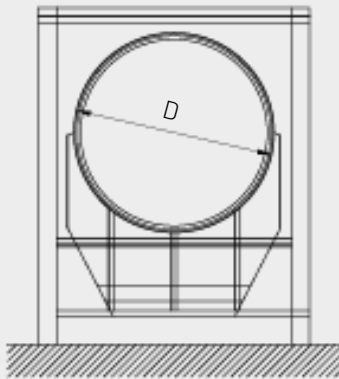
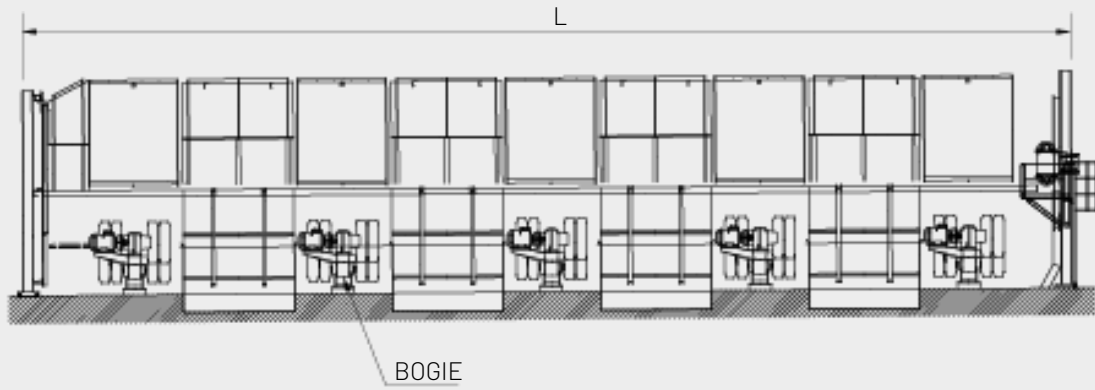
### BEST IN CLASS FOR:



WOOD BASED PANELS:  
PB/SPB  
OSB/LSPB/FOSB  
MDF/HDF



WOOD RECYCLING AND  
WASTE TREATMENT:  
PAPER MILL



MODEL	OVERALL DIMENSIONS mm ***		
	D	L	N° bogies
DDG.32.08-2	Ø3200	8000	2
DDG.32.10-2	Ø3200	10000	2
DDG.32.12-2	Ø3200	12000	2
DDG.32.15-2	Ø3200	15000	2
DDG.42.20-6	Ø4200	20000	6
DDG.42.25-8	Ø4200	25000	8
DDG.46.30-10	Ø4600	30000	10
DDG.45.35-12	Ø4500	35000	12
DDG.50.30-12	Ø5000	30000	12
DDG.50.35-14	Ø5000	35000	14

MODEL	CAPACITY m <sup>3</sup> /h Sob		POWER kW
	WET	b.d.	
DDG.32.08-2	30	20	60
DDG.32.10-2	40	25	74
DDG.32.12-2	60	30	90
DDG.32.15-2	70	45	110
DDG.42.20-6	150	100	270
DDG.42.25-8	200	120	360
DDG.46.30-10	280	160	450
DDG.45.35-12	350	200	540
DDG.50.30-12	350	210	540
DDG.50.35-14	400	240	630

\*\*\*According to customer needs