

## RE-CHIPPERS – RMG



The machine is designed to reduce the oversize wood of various dimensions to uniform dimension chips.

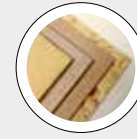
### TECHNICAL FEATURES

- This specific machine, is able to process small rejected wood materials such as barks or forestry waste and also the wood over-size coming from others size of reduction machineries
- Basic concept of this machine is the same of all other Globus drum chipper machines, except for the top gravity feeding system of the inlet material
- Bigger machines are equipped with hydraulic upper hood lifting and counter knife ejection.

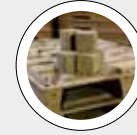
### BENEFITS

- Easy digestion of all types of wood materials
- Easy change of knives
- Lateral counter-knife ejection on sliding guide
- Minimized energy consumption
- Low maintenance cost.

### BEST IN CLASS FOR:



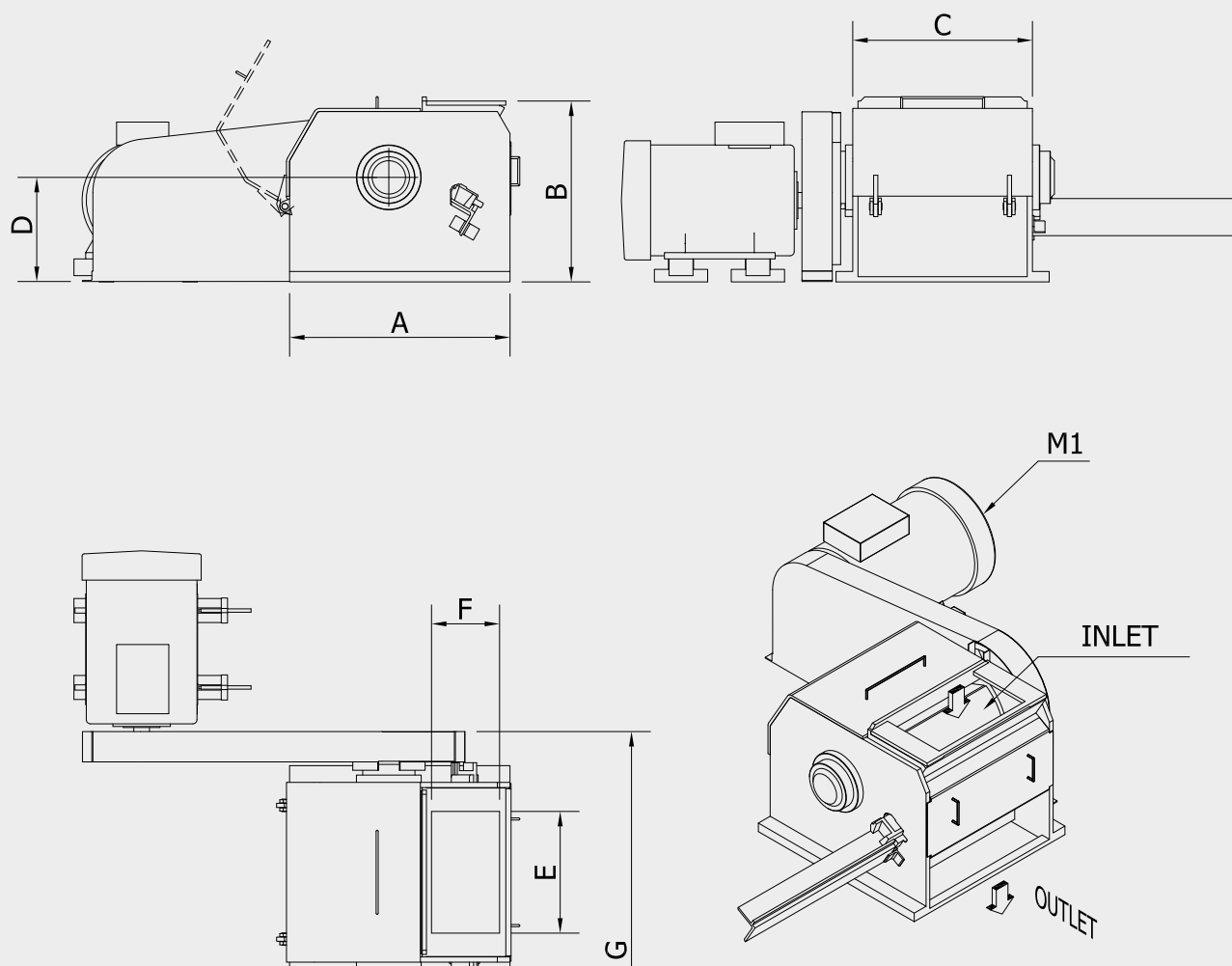
WOOD BASED PANELS:  
MDF/HDF  
PB/SPB  
OSB/LSB/FOSB



PRESSED WOOD PACKAGING:  
PALLET BLOCKS  
PRESSED PALLETS



PELLETS & ENERGY:  
GREEN FUELS AND BIOMASS  
WOOD PELLETS AND  
BLACK PELLETS



| MODEL       | OVERALL DIMENSIONS mm *** |      |      |     |      |     |      |           |
|-------------|---------------------------|------|------|-----|------|-----|------|-----------|
|             | A                         | B    | C    | D   | E    | F   | G    | N° knives |
| RMG 600.75  | 1050                      | 870  | 850  | 500 | 750  | 350 | 1200 | 2 ÷ 3     |
| RMG 600.100 | 1050                      | 870  | 1100 | 500 | 1000 | 500 | 2500 | 2 ÷ 3     |
| RMG 800.75  | 1250                      | 1120 | 850  | 600 | 750  | 350 | 1200 | 2 ÷ 4     |
| RMG 800.100 | 1250                      | 1120 | 1100 | 600 | 1000 | 500 | 2500 | 2 ÷ 4     |
| RMG 1200.75 | 1650                      | 1470 | 850  | 800 | 750  | 500 | 1200 | 2 ÷ 5     |

| MODEL       | CAPACITY**** m <sup>3</sup> /h chips | POWER kW |  | WEIGHT kg   |
|-------------|--------------------------------------|----------|--|-------------|
|             |                                      | M1       |  |             |
| RMG 600.75  | 10 ÷ 20                              | 30 ÷ 200 |  | 1500 ÷ 2700 |
| RMG 600.100 | 13 ÷ 26                              |          |  |             |
| RMG 800.75  | 30 ÷ 60                              |          |  |             |
| RMG 800.100 | 40 ÷ 80                              |          |  |             |
| RMG 1200.75 | 50 ÷ 125                             |          |  |             |

\*\*\*According to customer needs

\*\*\*\*According to raw material size and density